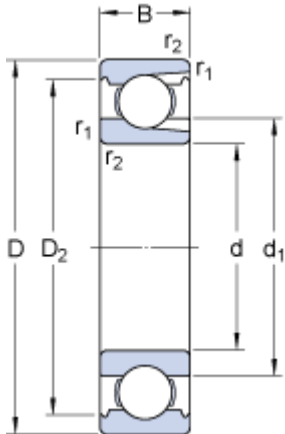
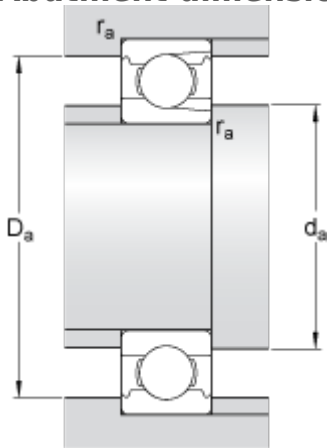


Dimensions



B	17	mm
---	----	----

Abutment dimensions



d _a	min.	42	mm
D _a	max.	65	mm
r _a	max.	1	mm

Calculation data

Basic dynamic load rating	C	27.5	kN
Basic static load rating	C	22	kN
Fatigue load limit	P _u	0.93	kN
Reference speed		17000	r/min
Limiting speed		10000	r/min
Calculation factor	k _r	0.04	

Mass

Mass bearing		0.31	kg
--------------	--	------	----