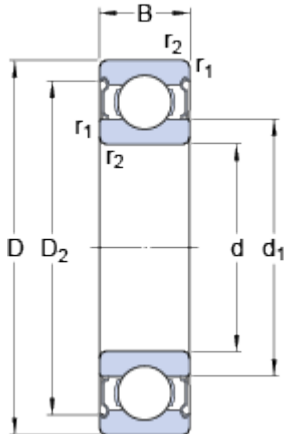


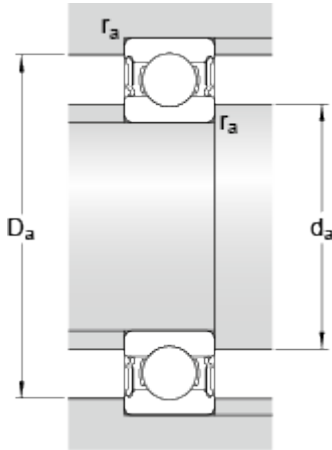
# 16101-2RS1

## Dimensions



d		12	mm
D		30	mm
B		8	mm
d <sub>1</sub>	≈	17	mm
D <sub>2</sub>	≈	24.72	mm
r <sub>1,2</sub>	min.	0.3	mm

## Abutment dimensions



d <sub>a</sub>	min.	14.4	mm
d <sub>a</sub>	max.	16.6	mm
D <sub>a</sub>	max.	27.6	mm
r <sub>a</sub>	max.	0.3	mm

## Calculation data

Basic dynamic load rating	C	5.07	kN
Basic static load rating	C	2.36	kN
Fatigue load limit	P <sub>u</sub>	0.1	kN
Limiting speed		17000	r/min
Calculation factor	k <sub>r</sub>	0.025	
Calculation factor	f	13.1	

## Mass

Mass bearing		0.028	kg
--------------	--	-------	----