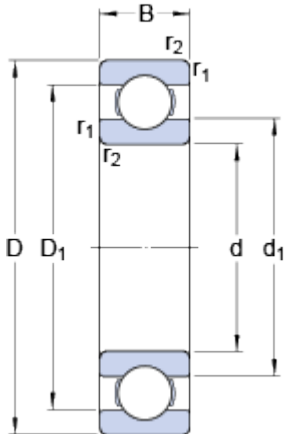


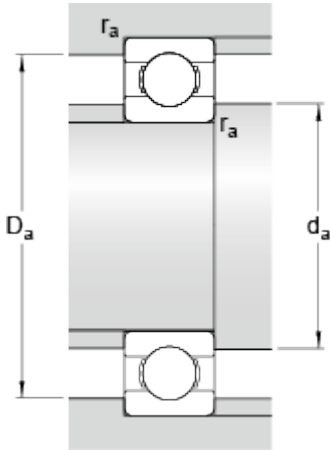
# 16030

## Dimensions



d		150	mm
D		225	mm
B		24	mm
d <sub>1</sub>	≈	174.95	mm
D <sub>1</sub>	≈	199.1	mm
r <sub>1,2</sub>	min.	1.1	mm

## Abutment dimensions



d <sub>a</sub>	min.	156	mm
D <sub>a</sub>	max.	219	mm
r <sub>a</sub>	max.	1	mm

## Calculation data

Basic dynamic load rating	C	92.2	kN
Basic static load rating	C	98	kN
Fatigue load limit	P <sub>u</sub>	3.05	kN
Reference speed		6000	r/min
Limiting speed		3800	r/min
Calculation factor	k <sub>r</sub>	0.02	
Calculation factor	f	16.5	

## Mass

Mass bearing		3.14	kg
--------------	--	------	----