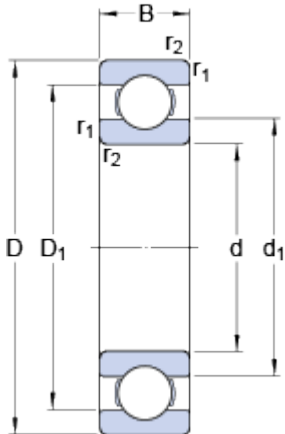


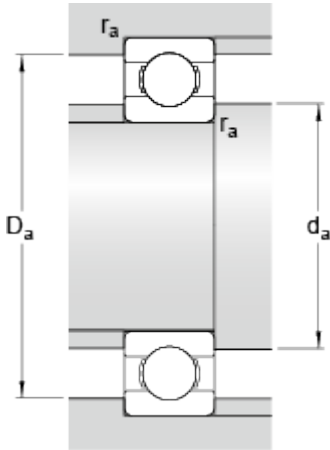
16028

Dimensions



d		140	mm
D		210	mm
B		22	mm
d ₁	≈	163.55	mm
D ₁	≈	185.5	mm
r _{1,2}	min.	1.1	mm

Abutment dimensions



d _a	min.	146	mm
D _a	max.	204	mm
r _a	max.	1	mm

Calculation data

Basic dynamic load rating	C	80.6	kN
Basic static load rating	C	86.5	kN
Fatigue load limit	P _u	2.8	kN
Reference speed		6700	r/min
Limiting speed		4000	r/min
Calculation factor	k _r	0.02	
Calculation factor	f	16.5	

Mass

Mass bearing		2.53	kg
--------------	--	------	----