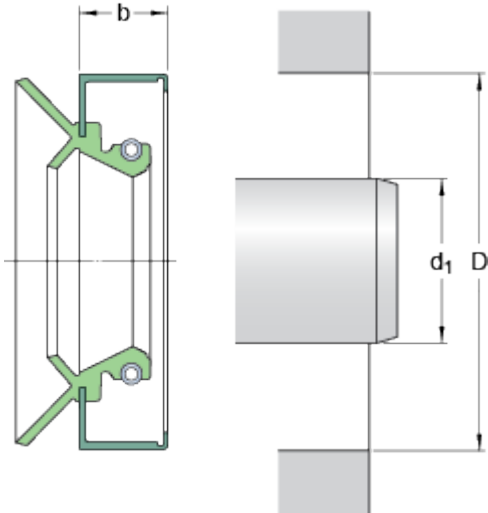


15866

Dimensions



d_1	40	mm
D	76	mm
b	12.5	mm

Application and operating conditions

Operating temperature	min.	-40	°C
Operating temperature	max.	150	°C
Operating temperature, short period	max.	175	°C