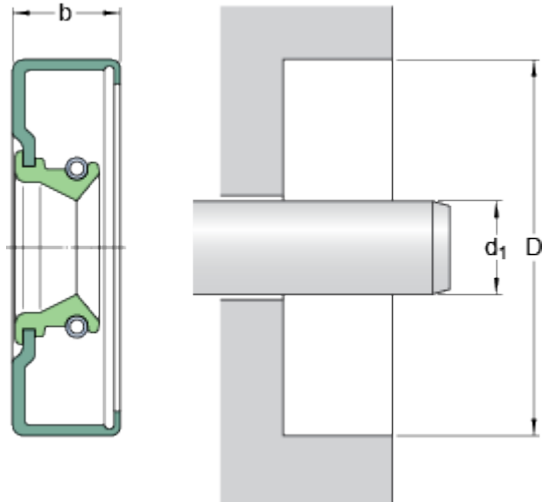


145x175x14 CRS1 R

Dimensions



d_1	145	mm
D	175	mm
b	14	mm

Application and operating conditions

Pressure differential	max.	0.05	MPa
Operating temperature	min.	-40	°C
Operating temperature	max.	100	°C
Operating temperature, short period	max.	120	°C
Rotational speed	max.	1317	r/min
Shaft surface speed	max.	10	m/s