

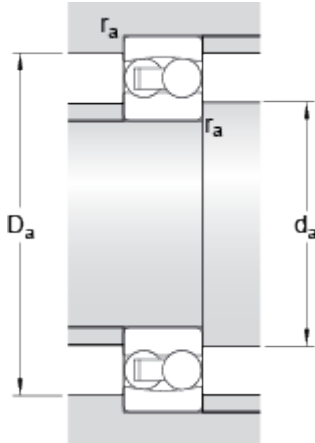
1314

Dimensions



d		70	mm
D		150	mm
B		35	mm
d ₁	≈	97.5	mm
D ₁	≈	126.8	mm
r _{1,2}	min.	2.1	mm

Abutment dimensions



d _a	min.	82	mm
D _a	max.	138	mm
r _a	max.	2	mm

Calculation data

Basic dynamic load rating	C	74.1	kN
Basic static load rating	C	27.5	kN
Fatigue load limit	P _u	1.34	kN
Reference speed		8500	r/min
Limiting speed		6000	r/min
Permissible angular misalignment	α	3	°
Calculation factor	k _r	0.045	
Calculation factor	e	0.22	
Calculation factor	Y	2.8	
Calculation factor	Y ₁	2.9	
Calculation factor	Y ₂	4.5	

Mass

Mass bearing		3	kg
--------------	--	---	----

