

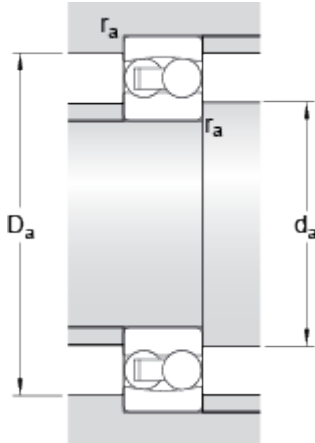
1313 ETN9

Dimensions



d		65	mm
D		140	mm
B		33	mm
d_1	\approx	99	mm
D_1	\approx	125.2	mm
$r_{1,2}$	min.	2	mm

Abutment dimensions



d_a	min.	77	mm
D_a	max.	128	mm
r_a	max.	2	mm

Calculation data

Basic dynamic load rating	C	65	kN
Basic static load rating	C	25.5	kN
Fatigue load limit	P_u	1.25	kN
Reference speed		8500	r/min
Limiting speed		6000	r/min
Permissible angular misalignment	α	3	$^\circ$
Calculation factor	k_r	0.04	
Calculation factor	e	0.22	
Calculation factor	Y	2.8	
Calculation factor	Y_1	2.9	
Calculation factor	Y_2	4.5	

Mass

Mass bearing		2.45	kg
--------------	--	------	----

