

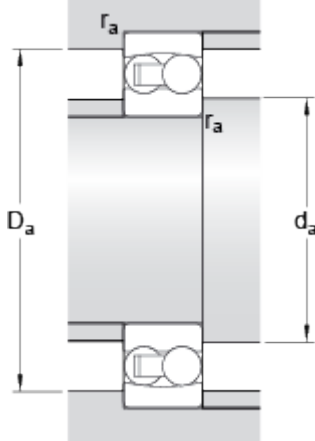
# 1312 ETN9

## Dimensions



d		60	mm
D		130	mm
B		31	mm
d <sub>1</sub>	≈	91.61	mm
D <sub>1</sub>	≈	116.7	mm
r <sub>1,2</sub>	min.	2.1	mm

## Abutment dimensions



d <sub>a</sub>	min.	72	mm
D <sub>a</sub>	max.	118	mm
r <sub>a</sub>	max.	2	mm

## Calculation data

Basic dynamic load rating	C	58.5	kN
Basic static load rating	C	22	kN
Fatigue load limit	P <sub>u</sub>	1.12	kN
Reference speed		9000	r/min
Limiting speed		6300	r/min
Permissible angular misalignment	α	3	°
Calculation factor	k <sub>r</sub>	0.04	
Calculation factor	e	0.22	
Calculation factor	Y	2.8	
Calculation factor	Y <sub>1</sub>	2.9	
Calculation factor	Y <sub>2</sub>	4.5	

## Mass

Mass bearing		1.95	kg
--------------	--	------	----

