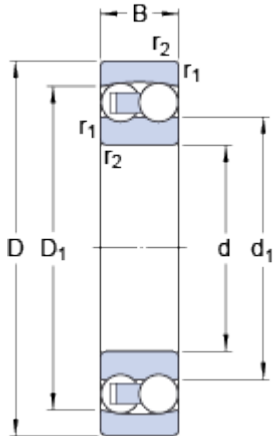


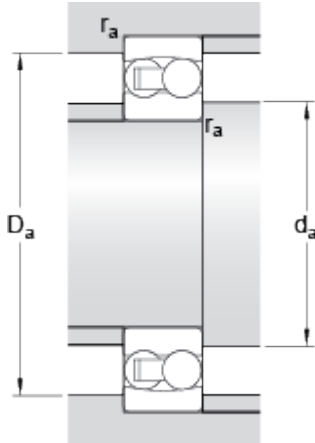
1311 ETN9

Dimensions



d		55	mm
D		120	mm
B		29	mm
d ₁	≈	77.9	mm
D ₁	≈	101.4	mm
r _{1,2}	min.	2	mm

Abutment dimensions



d _a	min.	66	mm
D _a	max.	109	mm
r _a	max.	2	mm

Calculation data

Basic dynamic load rating	C	50.7	kN
Basic static load rating	C	18	kN
Fatigue load limit	P _u	0.92	kN
Reference speed		11000	r/min
Limiting speed		7500	r/min
Permissible angular misalignment	α	3	°
Calculation factor	k _r	0.04	
Calculation factor	e	0.23	
Calculation factor	Y	2.8	
Calculation factor	Y ₁	2.7	
Calculation factor	Y ₂	4.2	

Mass

Mass bearing		1.6	kg
--------------	--	-----	----

