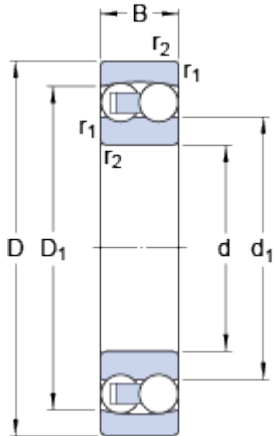


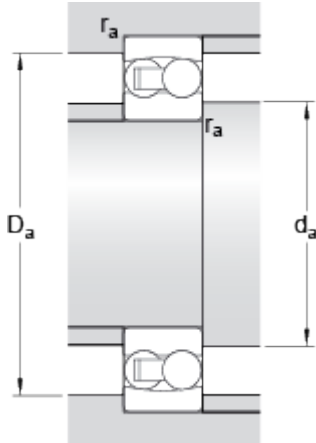
# 1310 ETN9

## Dimensions



$d$		50	mm
$D$		110	mm
$B$		27	mm
$d_1$	≈	70.3	mm
$D_1$	≈	92.6	mm
$r_{1,2}$	min.	2	mm

## Abutment dimensions



$d_a$	min.	61	mm
$D_a$	max.	99	mm
$r_a$	max.	2	mm

## Calculation data

Basic dynamic load rating	C	43.6	kN
Basic static load rating	C	14	kN
Fatigue load limit	$P_u$	0.72	kN
Reference speed		12000	r/min
Limiting speed		8000	r/min
Permissible angular misalignment	$\alpha$	3	°
Calculation factor	$k_r$	0.04	
Calculation factor	$e$	0.24	
Calculation factor	$Y$	2.8	
Calculation factor	$Y_1$	2.6	
Calculation factor	$Y_2$	4.1	

## Mass

Mass bearing		1.2	kg
--------------	--	-----	----

