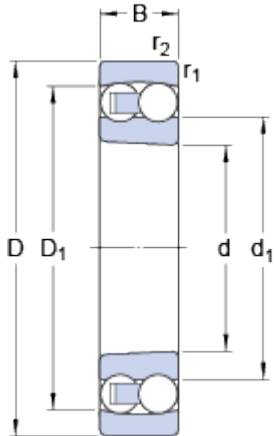


1310 EKTN9

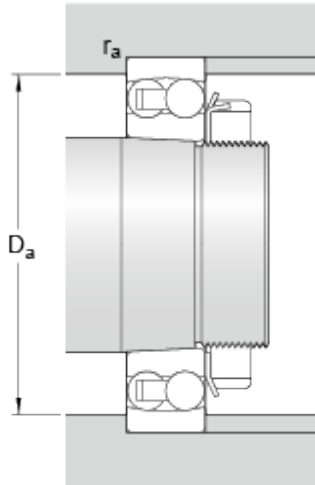
Dimensions



d	50	mm
D	110	mm
B	27	mm
d ₁	≈ 70.3	mm
D ₁	≈ 92.6	mm
r _{1,2}	min. 2	mm

Tapered bore, taper 1:12

Abutment dimensions



D _a	max.	99	mm
r _a	max.	2	mm

Calculation data

Basic dynamic load rating	C	43.6	kN
Basic static load rating	C	14	kN
Fatigue load limit	P _u	0.72	kN
Reference speed		12000	r/min
Limiting speed		8000	r/min
Permissible angular misalignment	α	3	°
Calculation factor	k _r	0.04	
Calculation factor	e	0.24	
Calculation factor	Y	2.8	
Calculation factor	Y ₁	2.6	
Calculation factor	Y ₂	4.1	

Mass

Mass bearing	1.2	kg
--------------	-----	----

