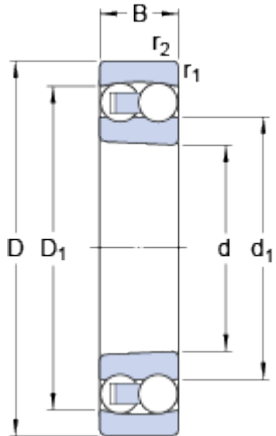


1309 EKTN9

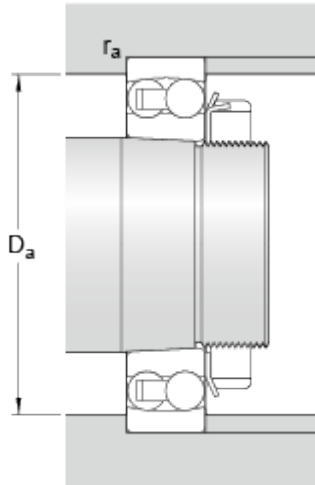
Dimensions



d		45	mm
D		100	mm
B		25	mm
d ₁	≈	67.71	mm
D ₁	≈	87.8	mm
r _{1,2}	min.	1.5	mm

Tapered bore, taper 1:12

Abutment dimensions



D _a	max.	91	mm
r _a	max.	1.5	mm

Calculation data

Basic dynamic load rating	C	39	kN
Basic static load rating	C	13.4	kN
Fatigue load limit	P _u	0.7	kN
Reference speed		12000	r/min
Limiting speed		8500	r/min
Permissible angular misalignment	α	3	°
Calculation factor	k _r	0.04	
Calculation factor	e	0.23	
Calculation factor	Y	2.8	
Calculation factor	Y ₁	2.7	
Calculation factor	Y ₂	4.2	

Mass

Mass bearing		0.96	kg
--------------	--	------	----

