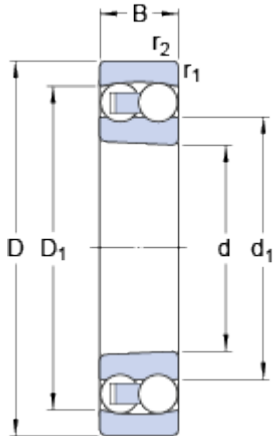


1308 EKTN9

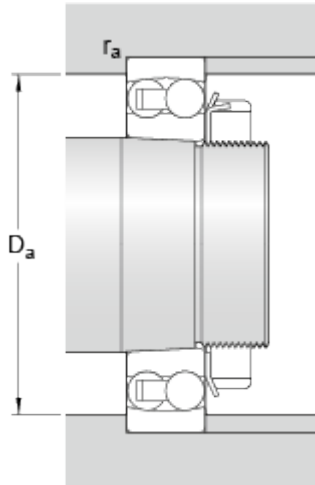
Dimensions



d	40	mm
D	90	mm
B	23	mm
d ₁	≈ 61.47	mm
D ₁	≈ 80.2	mm
r _{1,2}	min. 1.1	mm

Tapered bore, taper 1:12

Abutment dimensions



D _a	max.	81	mm
r _a	max.	1.1	mm

Calculation data

Basic dynamic load rating	C	33.8	kN
Basic static load rating	C	11.2	kN
Fatigue load limit	P _u	0.57	kN
Reference speed		14000	r/min
Limiting speed		9500	r/min
Permissible angular misalignment	α	3	°
Calculation factor	k _r	0.04	
Calculation factor	e	0.23	
Calculation factor	Y	2.8	
Calculation factor	Y ₁	2.7	
Calculation factor	Y ₂	4.2	

Mass

Mass bearing	0.68	kg
--------------	------	----

