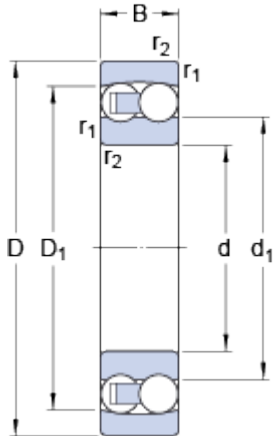


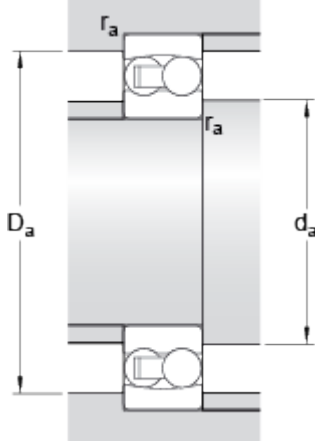
# 1307 ETN9

## Dimensions



$d$		35	mm
$D$		80	mm
$B$		21	mm
$d_1$	≈	51.55	mm
$D_1$	≈	67.5	mm
$r_{1,2}$	min.	1.5	mm

## Abutment dimensions



$d_a$	min.	44	mm
$D_a$	max.	71	mm
$r_a$	max.	1.5	mm

## Calculation data

Basic dynamic load rating	C	26.5	kN
Basic static load rating	C	8.5	kN
Fatigue load limit	$P_u$	0.43	kN
Reference speed		16000	r/min
Limiting speed		11000	r/min
Permissible angular misalignment	$\alpha$	3	°
Calculation factor	$k_r$	0.04	
Calculation factor	$e$	0.25	
Calculation factor	$Y$	2.5	
Calculation factor	$Y_1$	2.5	
Calculation factor	$Y_2$	3.9	

## Mass

Mass bearing		0.51	kg
--------------	--	------	----

