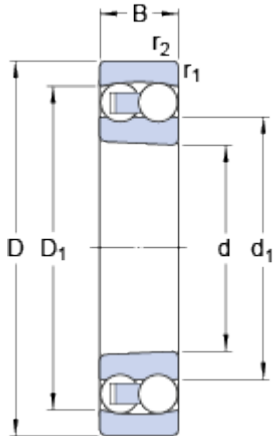


1307 EKTN9

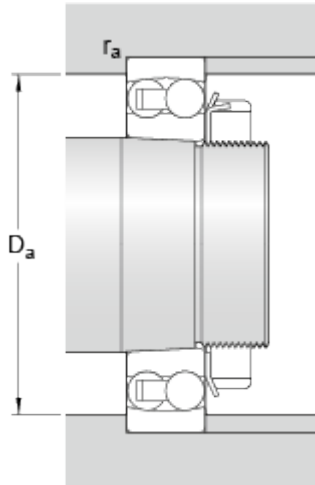
Dimensions



d		35	mm
D		80	mm
B		21	mm
d ₁	≈	51.55	mm
D ₁	≈	67.5	mm
r _{1,2}	min.	1.5	mm

Tapered bore, taper 1:12

Abutment dimensions



D _a	max.	71	mm
r _a	max.	1.5	mm

Calculation data

Basic dynamic load rating	C	26.5	kN
Basic static load rating	C	8.5	kN
Fatigue load limit	P _u	0.43	kN
Reference speed		16000	r/min
Limiting speed		11000	r/min
Permissible angular misalignment	α	3	°
Calculation factor	k _r	0.04	
Calculation factor	e	0.25	
Calculation factor	Y	2.5	
Calculation factor	Y ₁	2.5	
Calculation factor	Y ₂	3.9	

Mass

Mass bearing		0.51	kg
--------------	--	------	----

