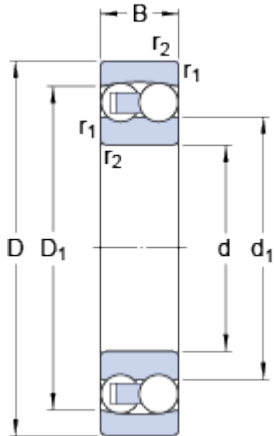


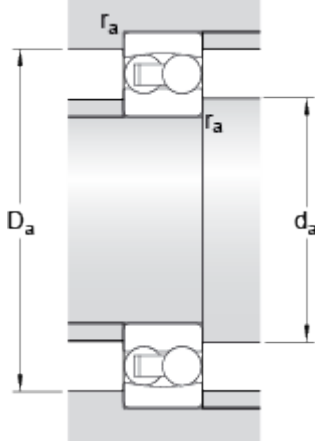
1306 ETN9

Dimensions



| | | | |
|------------------|------|------|----|
| d | | 30 | mm |
| D | | 72 | mm |
| B | | 19 | mm |
| d ₁ | ≈ | 45.1 | mm |
| D ₁ | ≈ | 59.1 | mm |
| r _{1,2} | min. | 1.1 | mm |

Abutment dimensions



| | | | |
|----------------|------|-----|----|
| d _a | min. | 37 | mm |
| D _a | max. | 65 | mm |
| r _a | max. | 1.1 | mm |

Calculation data

| | | | |
|----------------------------------|----------------|-------|-------|
| Basic dynamic load rating | C | 22.5 | kN |
| Basic static load rating | C | 6.8 | kN |
| Fatigue load limit | P _u | 0.36 | kN |
| Reference speed | | 19000 | r/min |
| Limiting speed | | 13000 | r/min |
| Permissible angular misalignment | α | 3 | ° |
| Calculation factor | k _r | 0.04 | |
| Calculation factor | e | 0.25 | |
| Calculation factor | Y | 2.5 | |
| Calculation factor | Y ₁ | 2.5 | |
| Calculation factor | Y ₂ | 3.9 | |

Mass

| | | | |
|--------------|--|------|----|
| Mass bearing | | 0.39 | kg |
|--------------|--|------|----|

