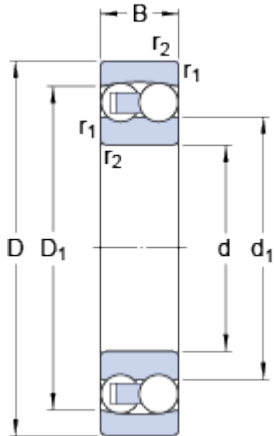


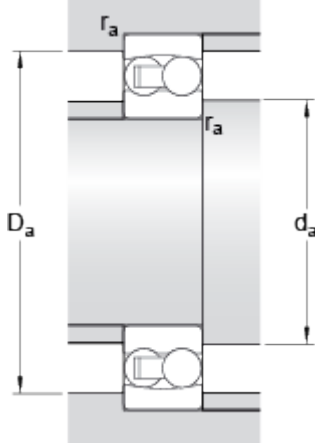
# 1305 ETN9

## Dimensions



d		25	mm
D		62	mm
B		17	mm
d <sub>1</sub>	≈	38	mm
D <sub>1</sub>	≈	50.7	mm
r <sub>1,2</sub>	min.	1.1	mm

## Abutment dimensions



d <sub>a</sub>	min.	32	mm
D <sub>a</sub>	max.	55	mm
r <sub>a</sub>	max.	1.1	mm

## Calculation data

Basic dynamic load rating	C	19	kN
Basic static load rating	C	5.4	kN
Fatigue load limit	P <sub>u</sub>	0.28	kN
Reference speed		22000	r/min
Limiting speed		15000	r/min
Permissible angular misalignment	α	3	°
Calculation factor	k <sub>r</sub>	0.04	
Calculation factor	e	0.28	
Calculation factor	Y	2.5	
Calculation factor	Y <sub>1</sub>	2.2	
Calculation factor	Y <sub>2</sub>	3.5	

## Mass

Mass bearing		0.26	kg
--------------	--	------	----

