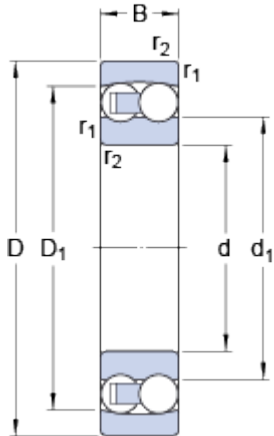


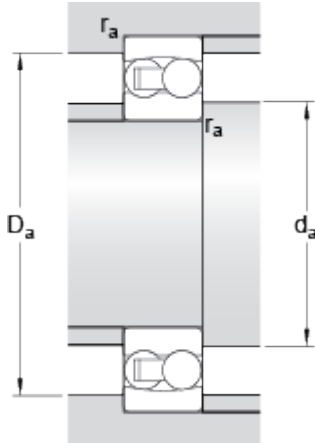
1303 ETN9

Dimensions



d		17	mm
D		47	mm
B		14	mm
d ₁	≈	28.88	mm
D ₁	≈	40	mm
r _{1,2}	min.	1	mm

Abutment dimensions



d _a	min.	22.6	mm
D _a	max.	41.4	mm
r _a	max.	1	mm

Calculation data

Basic dynamic load rating	C	12.7	kN
Basic static load rating	C	3.4	kN
Fatigue load limit	P _u	0.18	kN
Reference speed		28000	r/min
Limiting speed		20000	r/min
Permissible angular misalignment	α	3	°
Calculation factor	k _r	0.04	
Calculation factor	e	0.3	
Calculation factor	Y	2.2	
Calculation factor	Y ₁	2.1	
Calculation factor	Y ₂	3.3	

Mass

Mass bearing		0.12	kg
--------------	--	------	----

