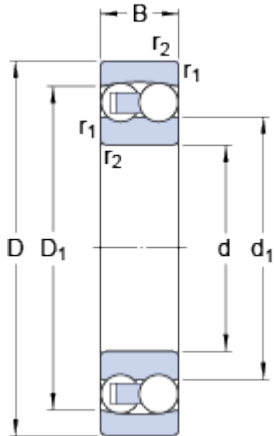


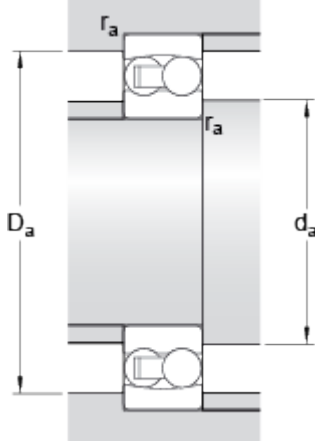
1302 ETN9

Dimensions



d		15	mm
D		42	mm
B		13	mm
d ₁	≈	23.9	mm
D ₁	≈	34.3	mm
r _{1,2}	min.	1	mm

Abutment dimensions



d _a	min.	20.6	mm
D _a	max.	36.4	mm
r _a	max.	1	mm

Calculation data

Basic dynamic load rating	C	10.8	kN
Basic static load rating	C	2.6	kN
Fatigue load limit	P _u	0.14	kN
Reference speed		34000	r/min
Limiting speed		24000	r/min
Permissible angular misalignment	α	3	°
Calculation factor	k _r	0.04	
Calculation factor	e	0.31	
Calculation factor	Y	2.2	
Calculation factor	Y ₁	2	
Calculation factor	Y ₂	3.1	

Mass

Mass bearing		0.094	kg
--------------	--	-------	----

