

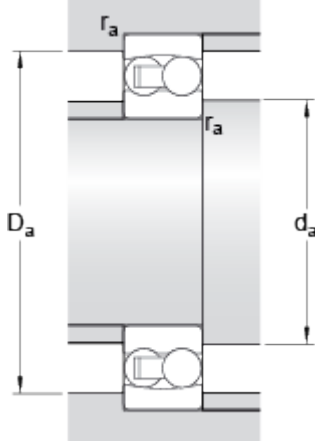
# 1301 ETN9

## Dimensions



d		12	mm
D		37	mm
B		12	mm
d <sub>1</sub>	≈	20.2	mm
D <sub>1</sub>	≈	29.5	mm
r <sub>1,2</sub>	min.	1	mm

## Abutment dimensions



d <sub>a</sub>	min.	17.6	mm
D <sub>a</sub>	max.	31.4	mm
r <sub>a</sub>	max.	1	mm

## Calculation data

Basic dynamic load rating	C	9.36	kN
Basic static load rating	C	2.16	kN
Fatigue load limit	P <sub>u</sub>	0.12	kN
Reference speed		40000	r/min
Limiting speed		28000	r/min
Permissible angular misalignment	α	3	°
Calculation factor	k <sub>r</sub>	0.04	
Calculation factor	e	0.35	
Calculation factor	Y	1.8	
Calculation factor	Y <sub>1</sub>	1.8	
Calculation factor	Y <sub>2</sub>	2.8	

## Mass

Mass bearing		0.067	kg
--------------	--	-------	----

