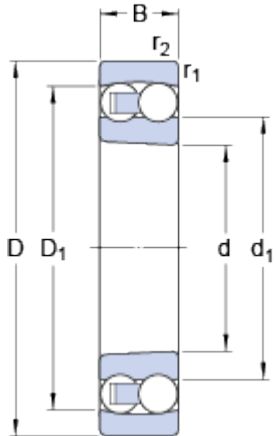


1216 K

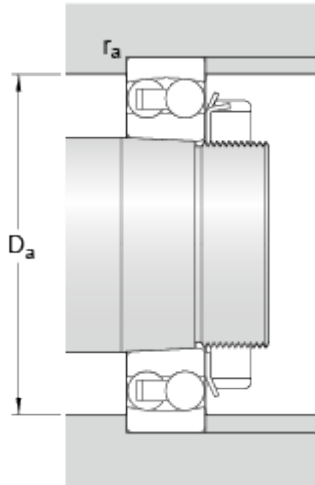
Dimensions



d	80	mm
D	140	mm
B	26	mm
d ₁	≈ 102	mm
D ₁	≈ 122.6	mm
r _{1,2}	min. 2	mm

Tapered bore, taper 1:12

Abutment dimensions



D _a	max.	129	mm
r _a	max.	2	mm

Calculation data

Basic dynamic load rating	C	39.7	kN
Basic static load rating	C	17	kN
Fatigue load limit	P _u	0.83	kN
Reference speed		9500	r/min
Limiting speed		6000	r/min
Permissible angular misalignment	α	2.5	°
Calculation factor	k _r	0.04	
Calculation factor	e	0.16	
Calculation factor	Y	4	
Calculation factor	Y ₁	3.9	
Calculation factor	Y ₂	6.1	

Mass

Mass bearing	1.6	kg
--------------	-----	----

