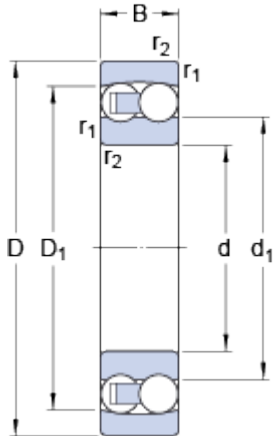


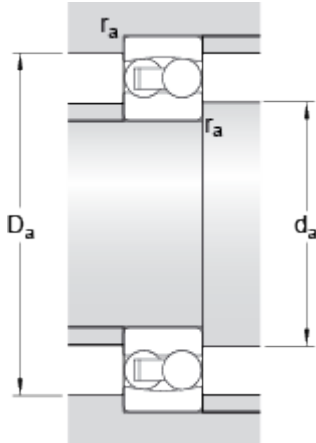
# 1216

## Dimensions



d		80	mm
D		140	mm
B		26	mm
d <sub>1</sub>	≈	102	mm
D <sub>1</sub>	≈	122.6	mm
r <sub>1,2</sub>	min.	2	mm

## Abutment dimensions



d <sub>a</sub>	min.	91	mm
D <sub>a</sub>	max.	129	mm
r <sub>a</sub>	max.	2	mm

## Calculation data

Basic dynamic load rating	C	39.7	kN
Basic static load rating	C	17	kN
Fatigue load limit	P <sub>u</sub>	0.83	kN
Reference speed		9500	r/min
Limiting speed		6000	r/min
Permissible angular misalignment	α	2.5	°
Calculation factor	k <sub>r</sub>	0.04	
Calculation factor	e	0.16	
Calculation factor	Y	4	
Calculation factor	Y <sub>1</sub>	3.9	
Calculation factor	Y <sub>2</sub>	6.1	

## Mass

Mass bearing	1.65	kg
--------------	------	----

