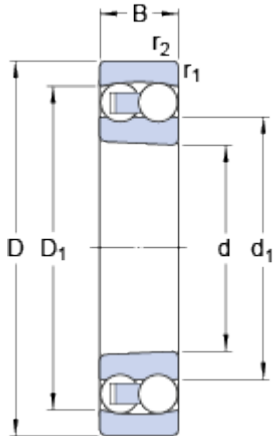


1215 K

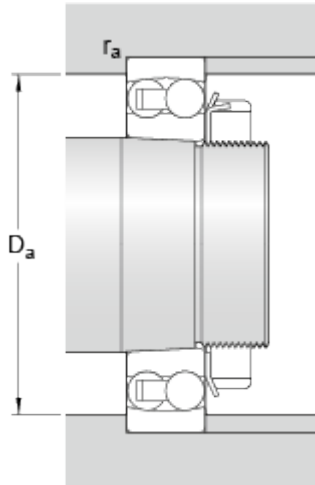
Dimensions



d	75	mm
D	130	mm
B	25	mm
d ₁	≈ 93.05	mm
D ₁	≈ 114.2	mm
r _{1,2}	min. 1.5	mm

Tapered bore, taper 1:12

Abutment dimensions



D _a	max.	121	mm
r _a	max.	1.5	mm

Calculation data

Basic dynamic load rating	C	39	kN
Basic static load rating	C	15.6	kN
Fatigue load limit	P _u	0.8	kN
Reference speed		10000	r/min
Limiting speed		6700	r/min
Permissible angular misalignment	α	2.5	°
Calculation factor	k _r	0.04	
Calculation factor	e	0.17	
Calculation factor	Y	4	
Calculation factor	Y ₁	3.7	
Calculation factor	Y ₂	5.7	

Mass

Mass bearing	1.3	kg
--------------	-----	----

