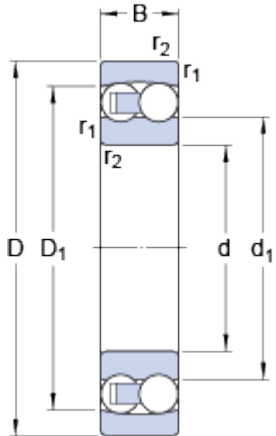


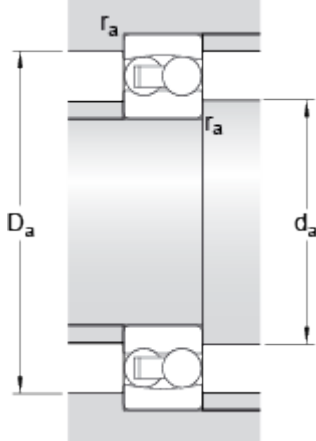
# 1215

## Dimensions



d		75	mm
D		130	mm
B		25	mm
d <sub>1</sub>	≈	93.05	mm
D <sub>1</sub>	≈	114.2	mm
r <sub>1,2</sub>	min.	1.5	mm

## Abutment dimensions



d <sub>a</sub>	min.	84	mm
D <sub>a</sub>	max.	121	mm
r <sub>a</sub>	max.	1.5	mm

## Calculation data

Basic dynamic load rating	C	39	kN
Basic static load rating	C	15.6	kN
Fatigue load limit	P <sub>u</sub>	0.8	kN
Reference speed		10000	r/min
Limiting speed		6700	r/min
Permissible angular misalignment	α	2.5	°
Calculation factor	k <sub>r</sub>	0.04	
Calculation factor	e	0.17	
Calculation factor	Y	4	
Calculation factor	Y <sub>1</sub>	3.7	
Calculation factor	Y <sub>2</sub>	5.7	

## Mass

Mass bearing		1.35	kg
--------------	--	------	----

