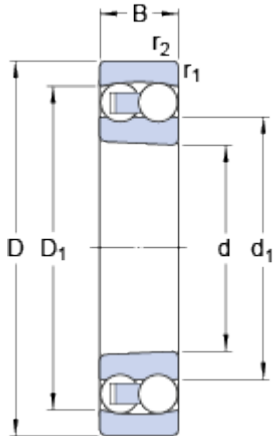


1213 EKTN9

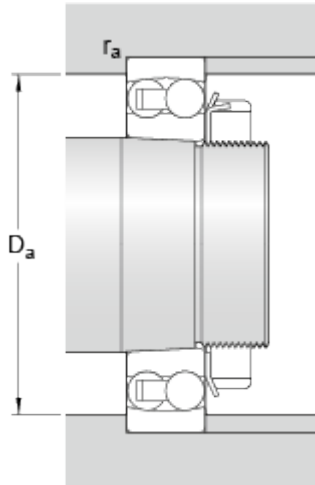
Dimensions



d		65	mm
D		120	mm
B		23	mm
d ₁	≈	85.1	mm
D ₁	≈	104	mm
r _{1,2}	min.	1.5	mm

Tapered bore, taper 1:12

Abutment dimensions



D _a	max.	111	mm
r _a	max.	1.5	mm

Calculation data

Basic dynamic load rating	C	35.1	kN
Basic static load rating	C	14	kN
Fatigue load limit	P _u	0.72	kN
Reference speed		11000	r/min
Limiting speed		7000	r/min
Permissible angular misalignment	α	2.5	°
Calculation factor	k _r	0.04	
Calculation factor	e	0.18	
Calculation factor	Y	3.6	
Calculation factor	Y ₁	3.5	
Calculation factor	Y ₂	5.4	

Mass

Mass bearing		1.1	kg
--------------	--	-----	----

