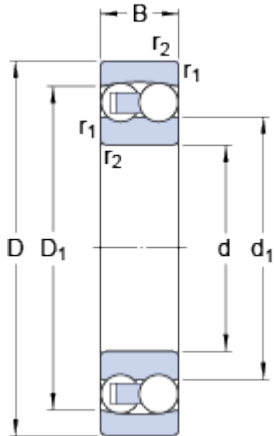


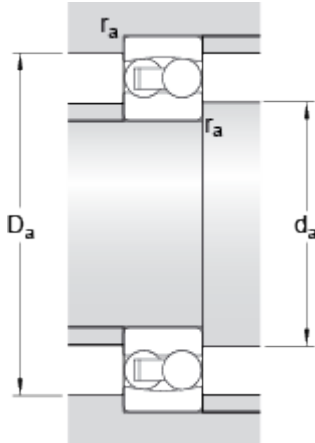
1212 ETN9

Dimensions



d		60	mm
D		110	mm
B		22	mm
d ₁	≈	78	mm
D ₁	≈	95.6	mm
r _{1,2}	min.	1.5	mm

Abutment dimensions



d _a	min.	69	mm
D _a	max.	101	mm
r _a	max.	1.5	mm

Calculation data

Basic dynamic load rating	C	31.2	kN
Basic static load rating	C	12.2	kN
Fatigue load limit	P _u	0.62	kN
Reference speed		12000	r/min
Limiting speed		8500	r/min
Permissible angular misalignment	α	2.5	°
Calculation factor	k _r	0.04	
Calculation factor	e	0.19	
Calculation factor	Y	3.6	
Calculation factor	Y ₁	3.3	
Calculation factor	Y ₂	5.1	

Mass

Mass bearing	0.9	kg
--------------	-----	----

