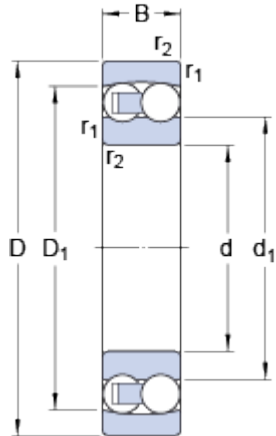


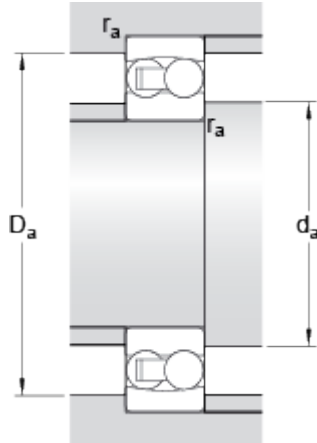
1211 ETN9

Dimensions



d		55	mm
D		100	mm
B		21	mm
d_1	≈	70.3	mm
D_1	≈	86.5	mm
$r_{1,2}$	min.	1.5	mm

Abutment dimensions



d_a	min.	64	mm
D_a	max.	91	mm
r_a	max.	1.5	mm

Calculation data

Basic dynamic load rating	C	27.6	kN
Basic static load rating	C	10.6	kN
Fatigue load limit	P_u	0.54	kN
Reference speed		14000	r/min
Limiting speed		9000	r/min
Permissible angular misalignment	α	2.5	°
Calculation factor	k_r	0.04	
Calculation factor	e	0.19	
Calculation factor	Y	3.6	
Calculation factor	Y_1	3.3	
Calculation factor	Y_2	5.1	

Mass

Mass bearing		0.71	kg
--------------	--	------	----

