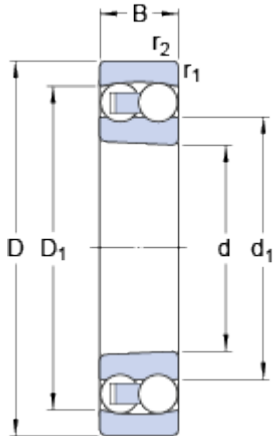


1210 EKTN9

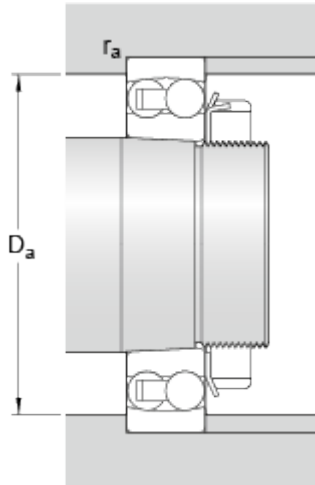
Dimensions



d	50	mm
D	90	mm
B	20	mm
d ₁	≈ 61.7	mm
D ₁	≈ 78.1	mm
r _{1,2}	min. 1.1	mm

Tapered bore, taper 1:12

Abutment dimensions



D _a	max.	83	mm
r _a	max.	1.1	mm

Calculation data

Basic dynamic load rating	C	26.5	kN
Basic static load rating	C	9.15	kN
Fatigue load limit	P _u	0.48	kN
Reference speed		16000	r/min
Limiting speed		10000	r/min
Permissible angular misalignment	α	2.5	°
Calculation factor	k _r	0.04	
Calculation factor	e	0.21	
Calculation factor	Y	3.2	
Calculation factor	Y ₁	3	
Calculation factor	Y ₂	4.6	

Mass

Mass bearing	0.53	kg
--------------	------	----

