

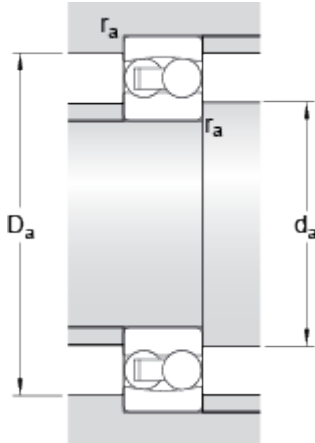
1209 ETN9

Dimensions



d		45	mm
D		85	mm
B		19	mm
d_1	≈	57.51	mm
D_1	≈	72.5	mm
$r_{1,2}$	min.	1.1	mm

Abutment dimensions



d_a	min.	52	mm
D_a	max.	78	mm
r_a	max.	1.1	mm

Calculation data

Basic dynamic load rating	C	22.9	kN
Basic static load rating	C	7.8	kN
Fatigue load limit	P_u	0.4	kN
Reference speed		17000	r/min
Limiting speed		11000	r/min
Permissible angular misalignment	α	2.5	°
Calculation factor	k_r	0.04	
Calculation factor	e	0.21	
Calculation factor	Y	3.2	
Calculation factor	Y_1	3	
Calculation factor	Y_2	4.6	

Mass

Mass bearing		0.47	kg
--------------	--	------	----

