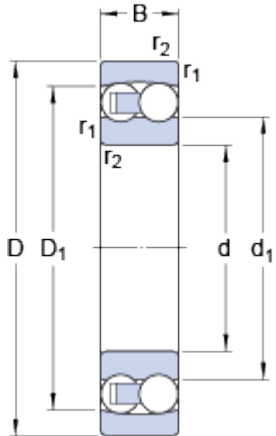


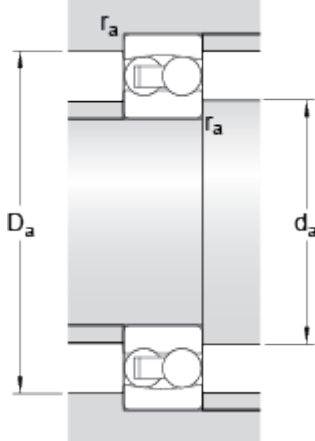
1207 ETN9

Dimensions



d		35	mm
D		72	mm
B		17	mm
d ₁	≈	47	mm
D ₁	≈	60.9	mm
r _{1,2}	min.	1.1	mm

Abutment dimensions



d _a	min.	42	mm
D _a	max.	65	mm
r _a	max.	1.1	mm

Calculation data

Basic dynamic load rating	C	19	kN
Basic static load rating	C	6	kN
Fatigue load limit	P _u	0.31	kN
Reference speed		20000	r/min
Limiting speed		13000	r/min
Permissible angular misalignment	α	2.5	°
Calculation factor	k _r	0.04	
Calculation factor	e	0.23	
Calculation factor	Y	2.8	
Calculation factor	Y ₁	2.7	
Calculation factor	Y ₂	4.2	

Mass

Mass bearing		0.32	kg
--------------	--	------	----

