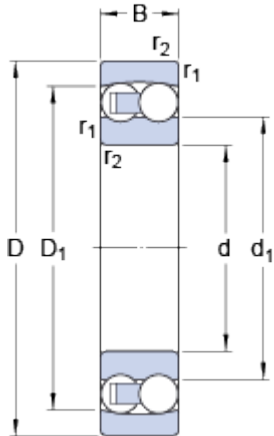


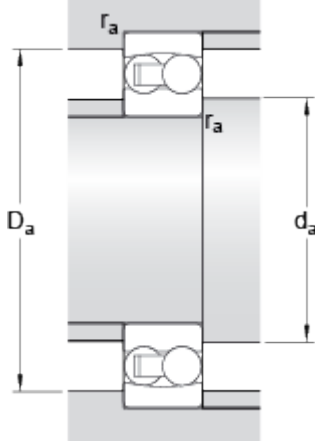
1206 ETN9

Dimensions



d		30	mm
D		62	mm
B		16	mm
d ₁	≈	40.3	mm
D ₁	≈	51.9	mm
r _{1,2}	min.	1	mm

Abutment dimensions



d _a	min.	35.6	mm
D _a	max.	56.4	mm
r _a	max.	1	mm

Calculation data

Basic dynamic load rating	C	15.6	kN
Basic static load rating	C	4.65	kN
Fatigue load limit	P _u	0.24	kN
Reference speed		24000	r/min
Limiting speed		15000	r/min
Permissible angular misalignment	α	2.5	°
Calculation factor	k _r	0.04	
Calculation factor	e	0.25	
Calculation factor	Y	2.5	
Calculation factor	Y ₁	2.5	
Calculation factor	Y ₂	3.9	

Mass

Mass bearing		0.22	kg
--------------	--	------	----

