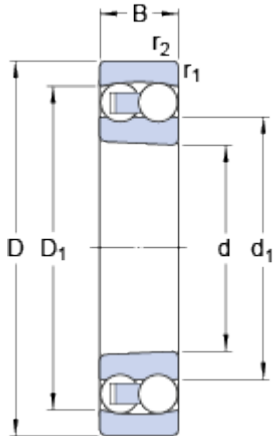


# 1206 EKTN9

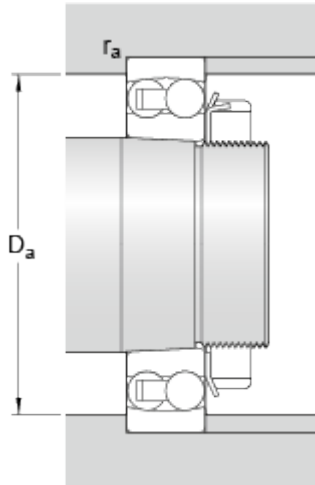
## Dimensions



d	30	mm
D	62	mm
B	16	mm
d <sub>1</sub>	≈ 40.3	mm
D <sub>1</sub>	≈ 51.9	mm
r <sub>1,2</sub>	min. 1	mm

Tapered bore, taper 1:12

## Abutment dimensions



D <sub>a</sub>	max.	56.4	mm
r <sub>a</sub>	max.	1	mm

## Calculation data

Basic dynamic load rating	C	15.6	kN
Basic static load rating	C	4.65	kN
Fatigue load limit	P <sub>u</sub>	0.24	kN
Reference speed		24000	r/min
Limiting speed		15000	r/min
Permissible angular misalignment	α	2.5	°
Calculation factor	k <sub>r</sub>	0.04	
Calculation factor	e	0.25	
Calculation factor	Y	2.5	
Calculation factor	Y <sub>1</sub>	2.5	
Calculation factor	Y <sub>2</sub>	3.9	

## Mass

Mass bearing	0.22	kg
--------------	------	----

