

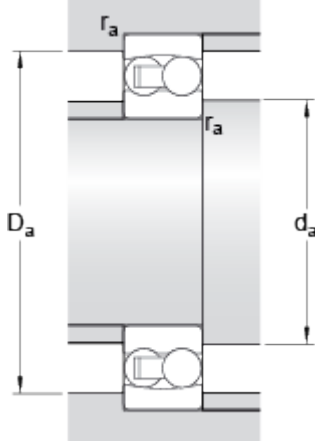
1204 ETN9

Dimensions



d		20	mm
D		47	mm
B		14	mm
d_1	\approx	28.88	mm
D_1	\approx	40	mm
$r_{1,2}$	min.	1	mm

Abutment dimensions



d_a	min.	25.6	mm
D_a	max.	41.4	mm
r_a	max.	1	mm

Calculation data

Basic dynamic load rating	C	12.7	kN
Basic static load rating	C	3.4	kN
Fatigue load limit	P_u	0.18	kN
Reference speed		32000	r/min
Limiting speed		20000	r/min
Permissible angular misalignment	α	2.5	$^\circ$
Calculation factor	k_r	0.04	
Calculation factor	e	0.3	
Calculation factor	Y	2.2	
Calculation factor	Y_1	2.1	
Calculation factor	Y_2	3.3	

Mass

Mass bearing		0.12	kg
--------------	--	------	----

