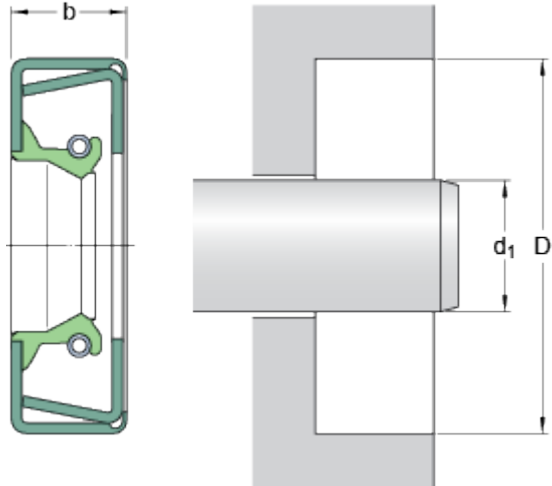


110x160x12 CRWH1 R

Dimensions



d_1	110	mm
D	160	mm
b	12	mm

Application and operating conditions

Pressure differential	max.	0.07	MPa
Operating temperature	min.	-40	°C
Operating temperature	max.	100	°C
Operating temperature, short period	max.	120	°C
Rotational speed	max.	3125	r/min
Shaft surface speed	max.	18	m/s