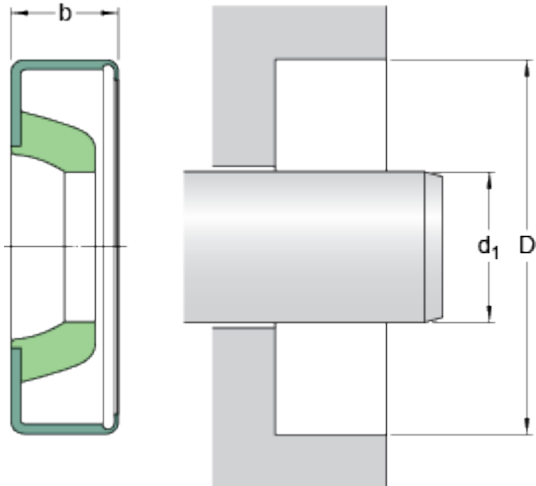


11050

Dimensions



| | | |
|-------|--------|----|
| d_1 | 28.575 | mm |
| D | 34.93 | mm |
| b | 3.18 | mm |

Application and operating conditions

| | | | |
|-------------------------------------|------|------|-------|
| Pressure differential | max. | 0.07 | MPa |
| Operating temperature | min. | -40 | °C |
| Operating temperature | max. | 100 | °C |
| Operating temperature, short period | max. | 120 | °C |
| Rotational speed | max. | 6683 | r/min |
| Shaft surface speed | max. | 10 | m/s |