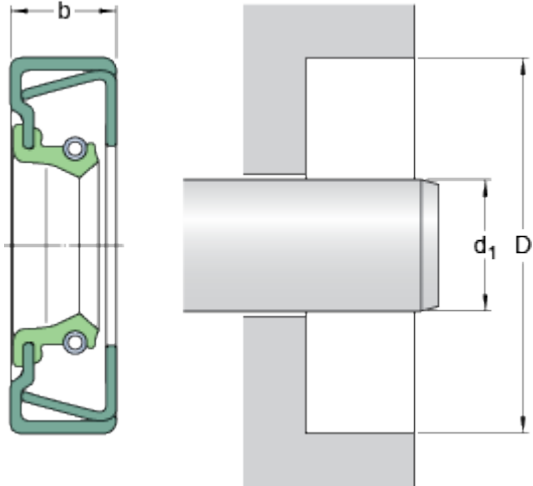


100x120x13 CRSH1 R

Dimensions



d_1	100	mm
D	120	mm
b	13	mm

Application and operating conditions

Pressure differential	max.	0.05	MPa
Operating temperature	min.	-40	°C
Operating temperature	max.	100	°C
Operating temperature, short period	max.	120	°C
Rotational speed	max.	1910	r/min
Shaft surface speed	max.	10	m/s